

2S8WE_3RP Series

2W - Single Output - Wide Input - Isolated & Regulated DC-DC Converter

DC-DC Converter

2 Watt

- ⊕ Wide 2:1 input voltage range
- ⊕ Efficiency up to 80%
- ⊕ Regulated output types
- ⊕ I/O Isolation 3KVDC
- ⊕ Internal SMD construction
- ⊕ Operating temperature range: -40°C to +85°C
- ⊕ Continuous short circuit protection (SCP)
- ⊕ Industry standard pinout

The 2S8WE_3RP series is a family of cost effective 2W single output DC-Dc converters, specially designed for applications where a wide range input voltage power supplies are isolated from the input power supply in a distributed power supply system on a circuit board.

These products apply to:

- 1) Where the voltage of the input power supply is wide range (voltage range \leq 2:1)
- 2) Where isolation is necessary between input and output (isolation voltage \leq 3000VDC)
- 3) Where the regulation of the output voltage and the output ripple noise are demanded



Common specifications	
Short circuit protection:	Continuous
Cooling:	Free air convection
Operation temperature range:	-40°C~+85°C
Operating case temperature:	100°C max.
Storage temperature range:	-40°C ~+125°C
Storage humidity range:	< 95%
Soldering temperature:	260°C max, 1.5mm from case for 10 sec
Switching frequency:	100~650kHz
Temperature coefficient:	0.02%/°C typ.
Case material:	Non-conductive black plastic [UL94-V0]
Potting material:	Epoxy [UL94-V0]
MTBF (MIL-HDBK-217F):	>1500000 hours
Weight:	4.5g
Dimensions:	21.8x9.2x11.1mm

Input specifications					
Item	Test condition	Min	Typ	Max	Units
Input filter	Capacitor				

Note:

1. All specifications measured at Ta=25°C, humidity<75%, nominal input voltage and rated output load unless otherwise specified.
2. Capacitive load: test by nominal input voltage and constant resistor load.
3. Exceeding the absolut ratings of the unit could cause damage. It is not allowed for continuous operating.
4. In this datasheet, all the test methods of indications are based on corporate standards.

Output specifications						
Item	Test condition	Min	Typ	Max	Units	
Output voltage accuracy	Nominal Vin and full load			±3	%	
Line regulation	Vin=min to max,full load			±0.5	%	
Load regulation	20% to 100% full load			±0.8	%	
Ripple & Noise	20MHz Bandwidth • 5V-9V models • 12V-24V models			100 1% of Vout	mVp-p	
Transient response setting time	50% load step change		350		ms	

Isolation specifications					
Item	Test condition	Min	Typ	Max	Units
Isolation voltage		1000			VDC
Isolation resistance	500VDC, input to output	1000			MΩ

Example:

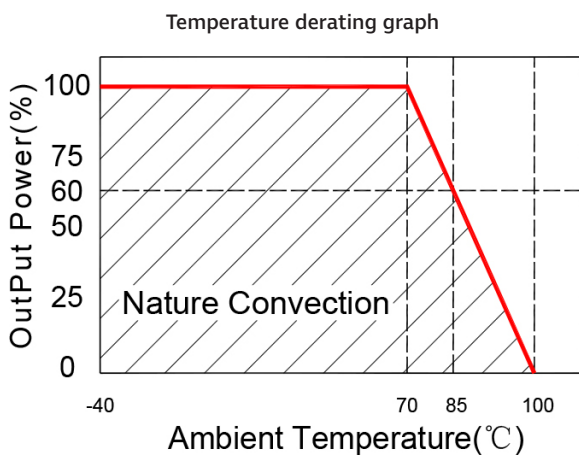
2S8WE_0505S3RP
 2=2Watt; S8= SIP8; W=wide input (2:1); E= cost effective; 5 - 9Vin;
 5Vout; S= Single output; 3= 3000VDC; R= Regulated output
 P= Short circuit protection

2S8WE_3RP Series

2W - Single Output - Wide Input - Isolated & Regulated
DC-DC Converter

Part Number	Input Voltage [V]	Output Voltage [VDC]	Output Current [mA, max]	Efficiency [%, typ]
2S8WE_0505S3RP	5-9	5	400	65
2S8WE_0509S3RP	5-9	9	222	70
2S8WE_0512S3RP	5-9	12	167	70
2S8WE_0515S3RP	5-9	15	133	70
2S8WE_0524S3RP	5-9	24	83	70
2S8WE_1205S3RP	9-18	5	400	70
2S8WE_1209S3RP	9-18	9	222	80
2S8WE_1212S3RP	9-18	12	167	80
2S8WE_1215S3RP	9-18	15	133	80
2S8WE_1224S3RP	9-18	24	83	80
2S8WE_2405S3RP	18-36	5	400	75
2S8WE_2409S3RP	18-36	9	222	80
2S8WE_2412S3RP	18-36	12	167	80
2S8WE_2415S3RP	18-36	15	133	80
2S8WE_2424S3RP	18-36	24	83	80
2S8WE_4805S3RP	36-72	5	400	70
2S8WE_4809S3RP	36-72	9	222	80
2S8WE_4812S3RP	36-72	12	167	80
2S8WE_4815S3RP	36-72	15	133	80
2S8WE_4824S3RP	36-72	24	83	80

Typical characteristics



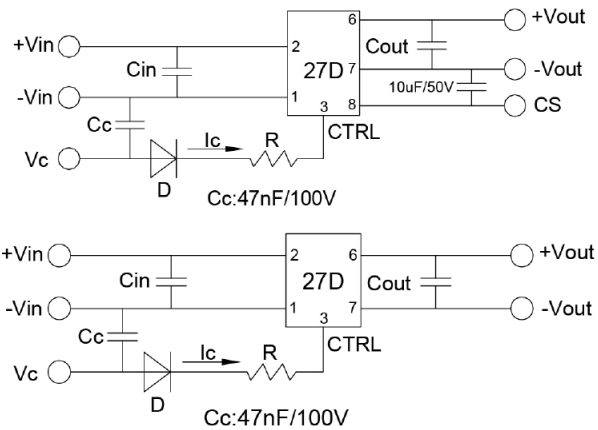
2S8WE_3RP Series

2W - Single Output - Wide Input - Isolated & Regulated DC-DC Converter

Recommended test circuit

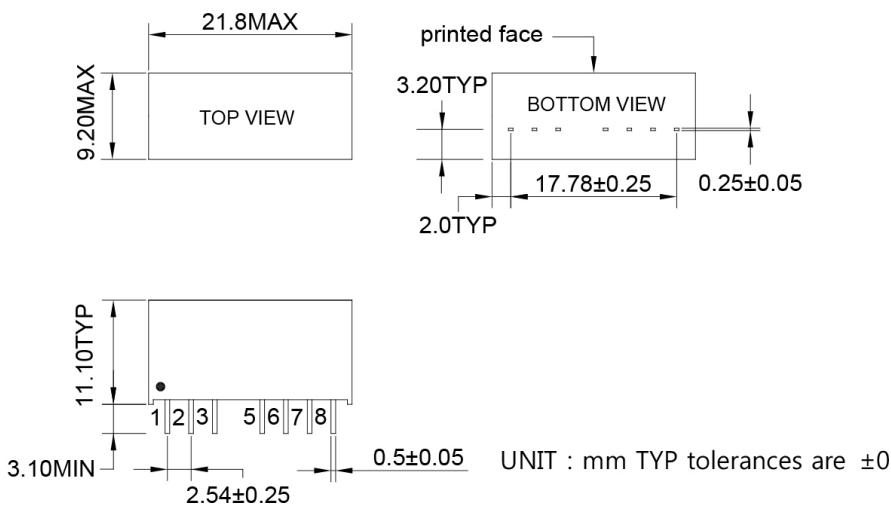
When open or high impedance, the converter works well; when this pin is ,high', the converter shut down. It should be note that the input current should be between 5-10mA, exceeding the maximum 20mA will cause permanent damage to the converter.

To make sure the product work at perfect operation status with full loading external capacitor is necessary and it is recommended to use high frequency low resistance electrolytic capacitor.



5V: Cin	10uF,25V	5V :Cout	100uF/25V
12V: Cin	10uF,50V	9V :Cout	100uF/25V
24V: Cin	10uF,100V	12V:Cout	100uF/25V
48V: Cin	10uF,100V	15V:Cout	100uF/50V
		24V:Cout	100uF/50V

Mechanical specifications



Pin number	Single
1	-Vin
2	+Vin
3	Ctrl-Control input can (can be left open)
5	NE-No external connection allowed
6	+Vout
7	-Vout
8	CS Optional External capacitor